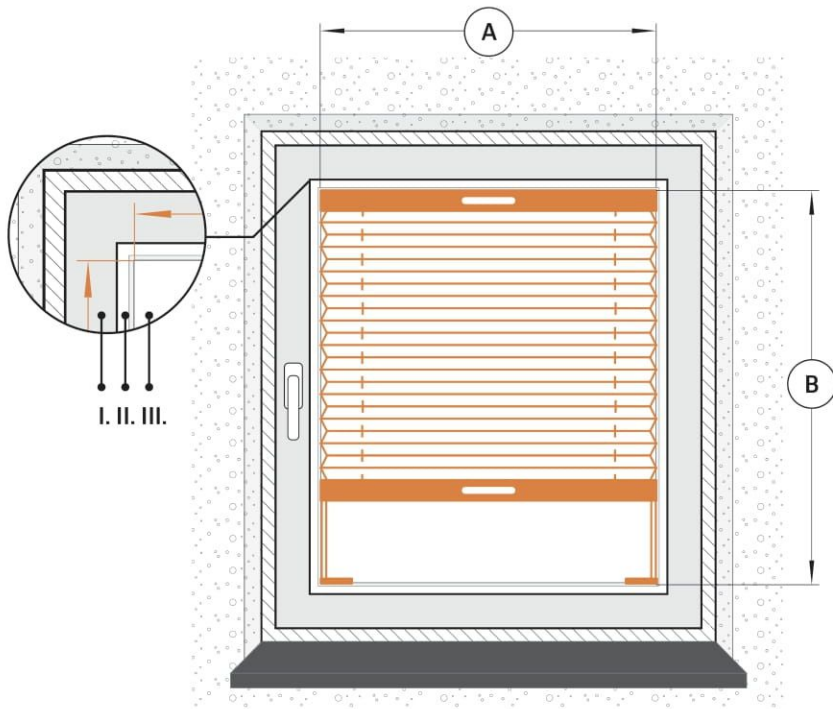


Measuring instructions Pleated Blinds

The long and trouble-free operation of the window cover depends not only on the high quality of its manufacture, but also on its proper fitting and assembly. For the aperture to fit perfectly, the chosen location must be correctly and carefully dimensioned.

The following auxiliary drawings must be strictly adhered to.

The pleats are installed between the glazing beads



A- WIDTH

This is the width of the "light" of the glass.

B - HEIGHT

This is the height of the "light" of the glass.

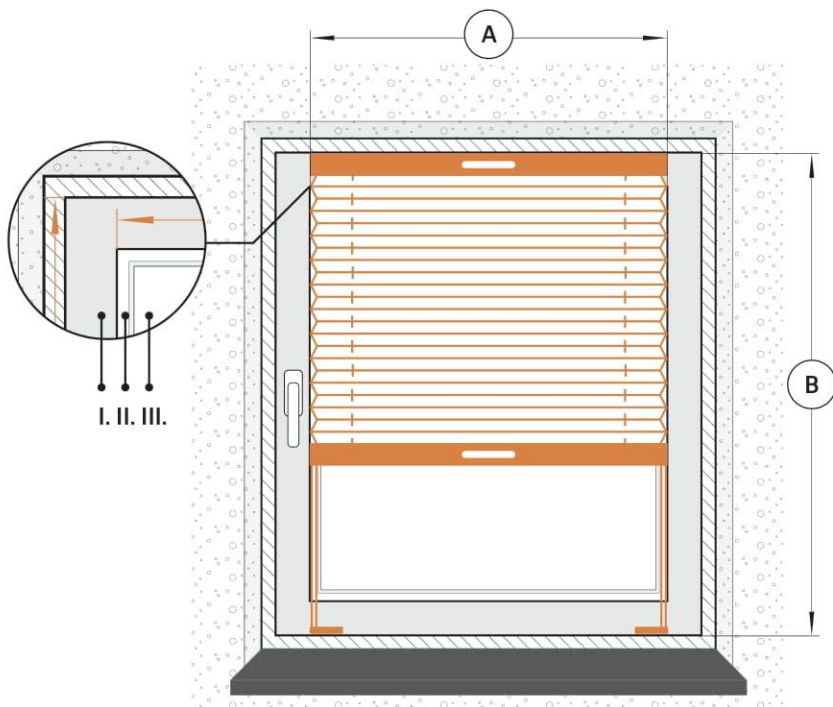
I - Window frame

II - Glazing bead

III - Glass

* The pleat works in the light of the glass in the space between the glazing beads. (When taking the dimension, measure the dimension of the glass WITHOUT GASKETS) Take the dimension of the glass only! this will allow the pleat to work properly and freely.

Pleats non-invasive installation on the window sash



A- WIDTH

This is the width of the glass together with glazing beads

B- HEIGHT

This is the height of the window sash

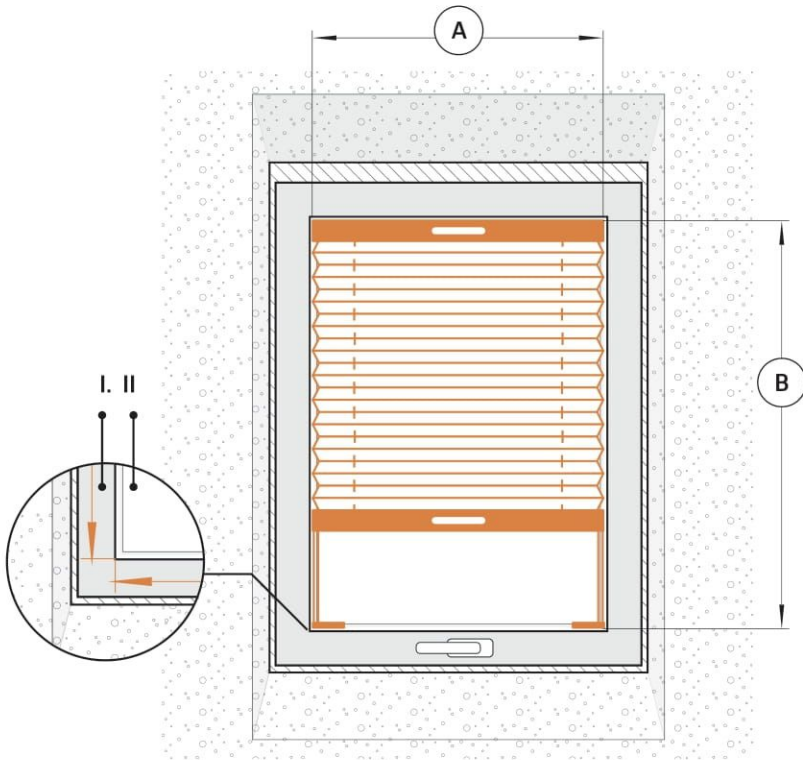
I - Window frame

II - Glazing bead

III - Glass

**We give all dimensions in millimeters*

Pleats, installation on the roof window



A - WIDTH

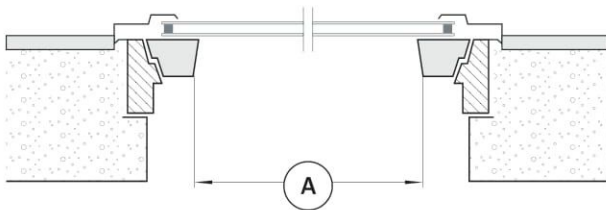
This is the width from the edge to the edge of the glazing bead.

B - HEIGHT

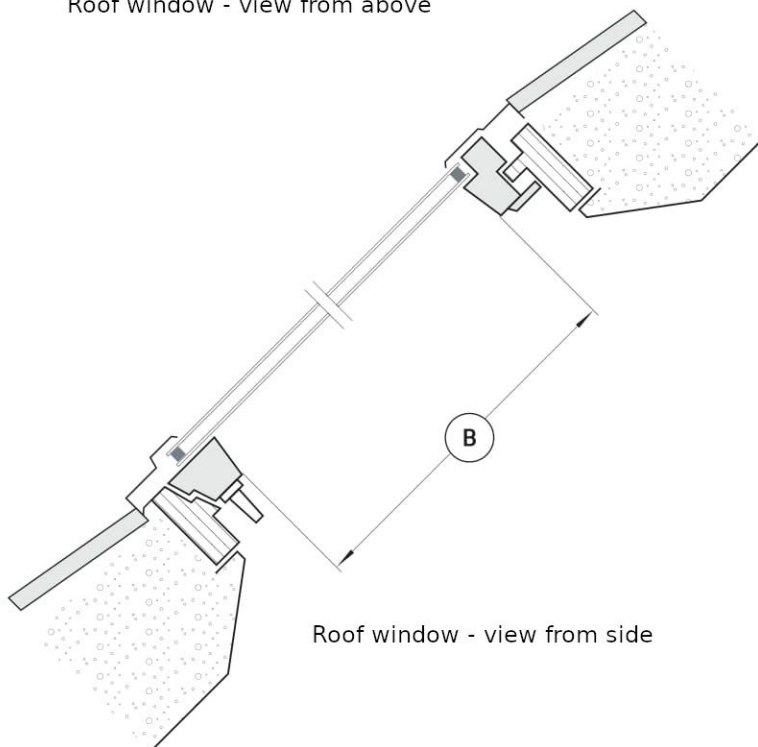
This is the height from the edge to the edge of the glazing bead.

I - Window frame

II - Glass



Roof window - view from above



Roof window - view from side

**We give all dimensions in millimeters*